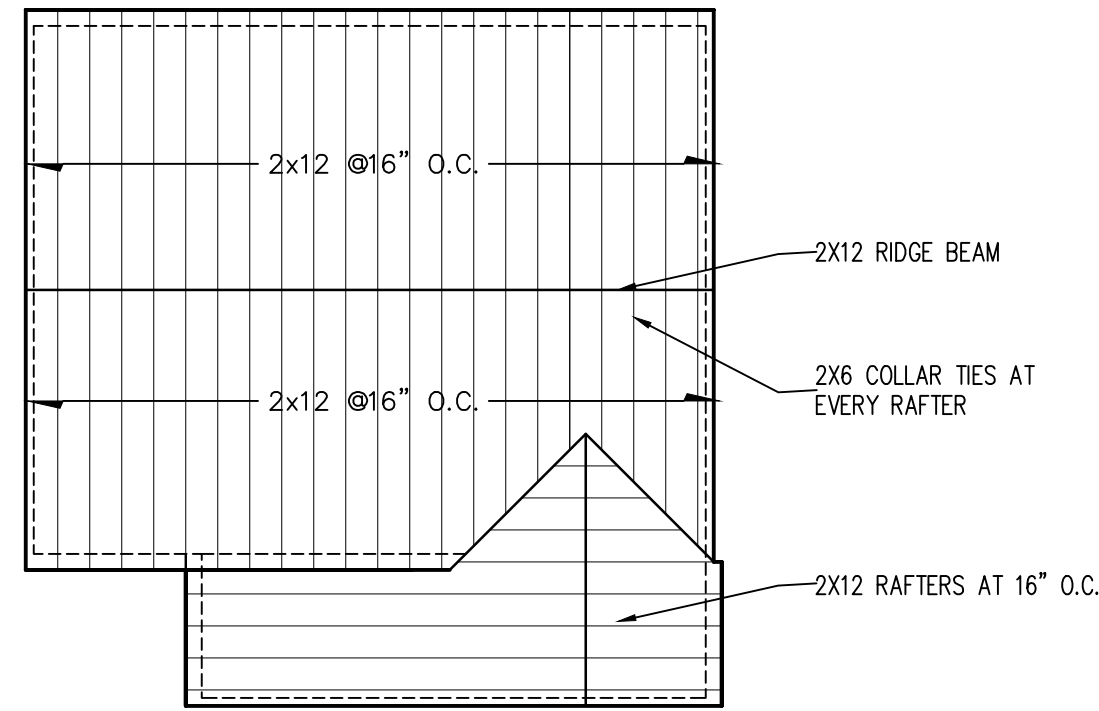


WINDOW SCHEDULE

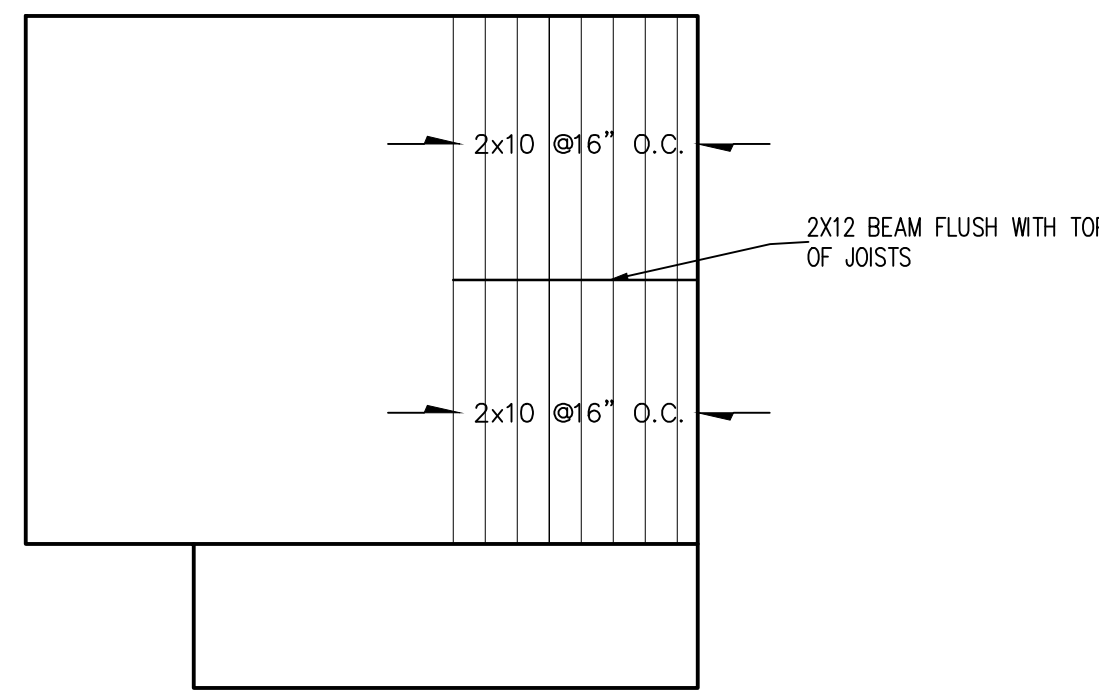
MARK	SIZE (RO)	TYPE	MANUFACTURER	HEAD HEIGHT	HEADER SIZE	REMARKS
1	2'-7" X 4'-5"	DOUBLE HUNG		6'-8"	(3) 2X10 + FILLERS	
2	2'-7" X 2'-4"	AWNING		6'-8"	(3) 2X10 + FILLERS	
3	3'-1" X 4'-5"	DOUBLE HUNG		6'-8"	(3) 2X10 + FILLERS	
4	2'-7" X 1'-4"	FIXED			(3) 2X10 + FILLERS	
5	3'-1" X 1'-4"	FIXED			(3) 2X10 + FILLERS	

DOOR SCHEDULE

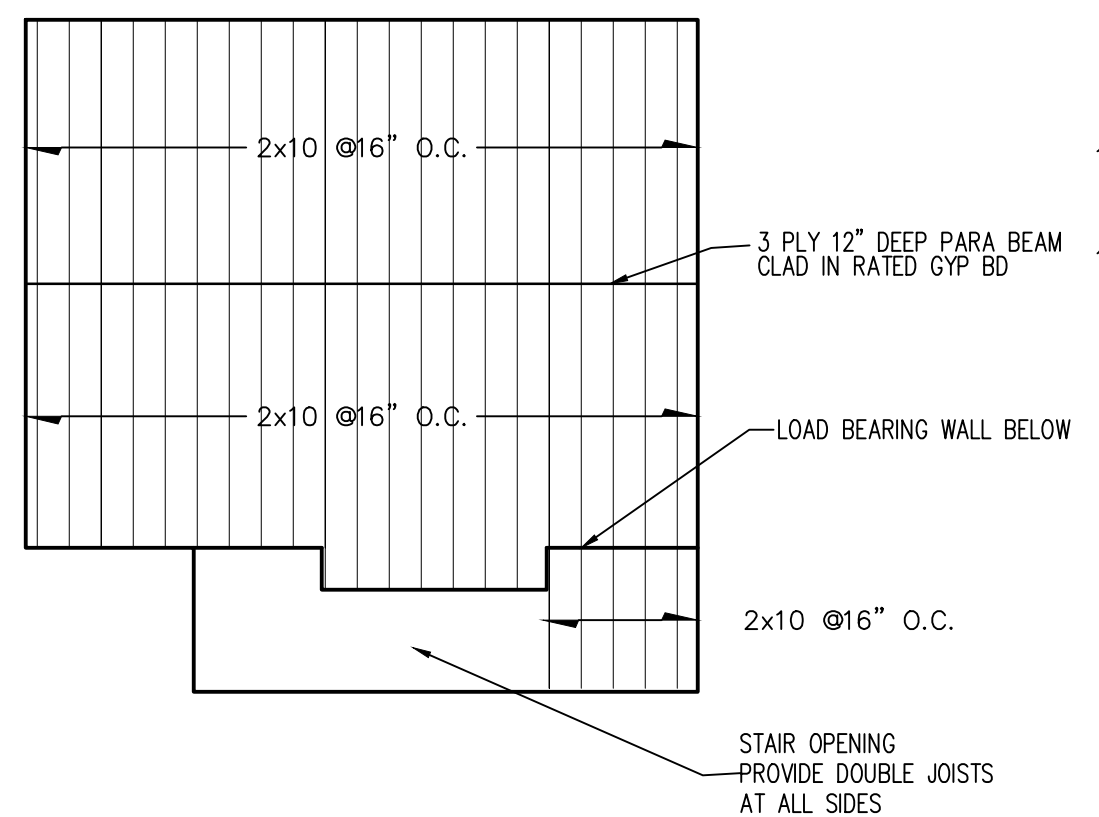
MARK	SIZE	TYPE	MANUFACTURER	REMARKS
A	8'-0" X 7'-0"	GARAGE DOOR		STEEL INSULATED DOOR
B	2'-8" X 6'-8"	SWINGING RAISED PANEL		STEEL INSULATED DOOR
C	2'-8" X 6'-8"	FOLDING RAISED PANEL		WOOD
D	(2) 2'-0" X 6'-8"	FOLDING RAISED PANEL		WOOD



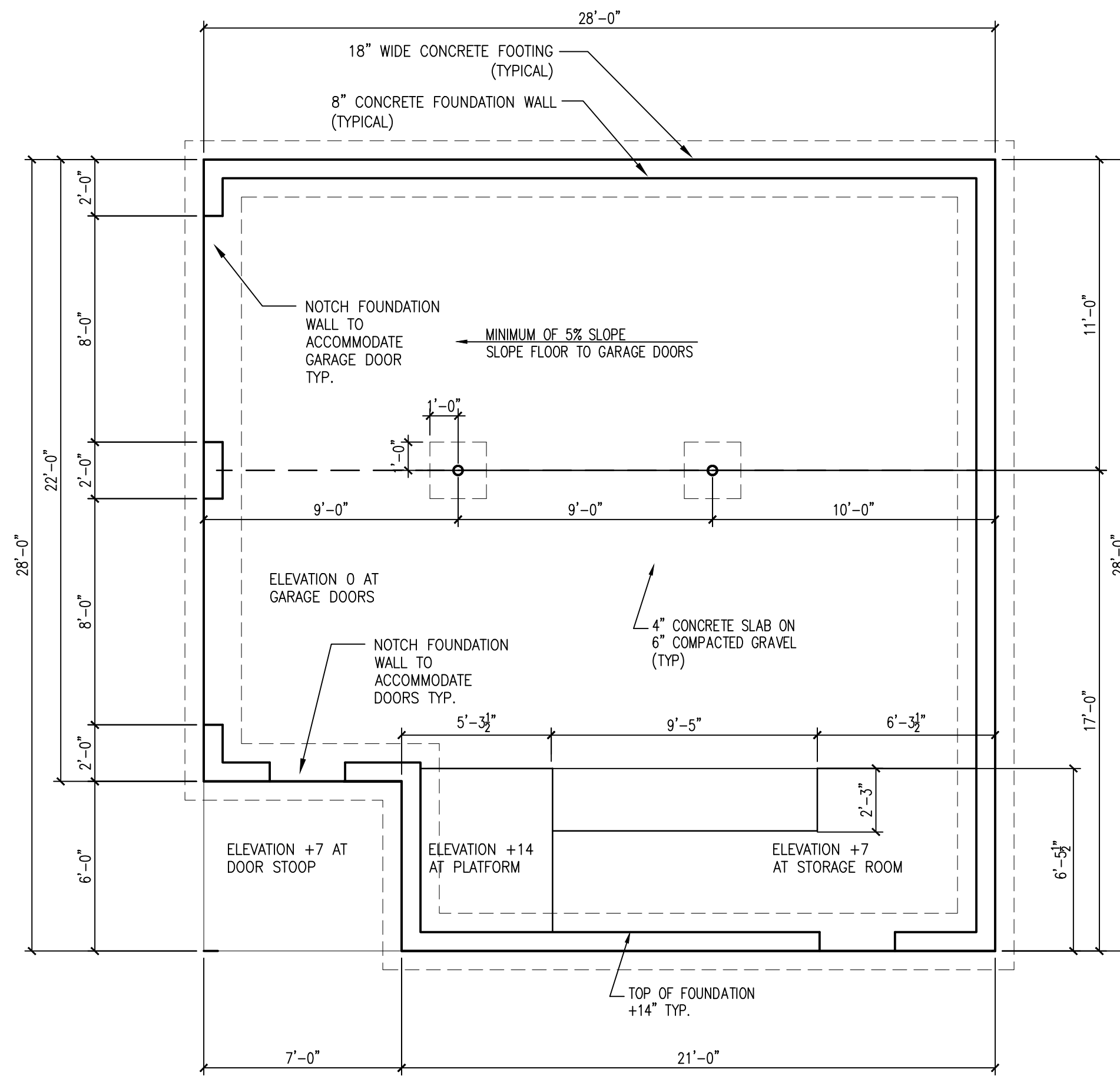
5 ROOF FRAMING PLAN
A-2 1/8"=1'-0"



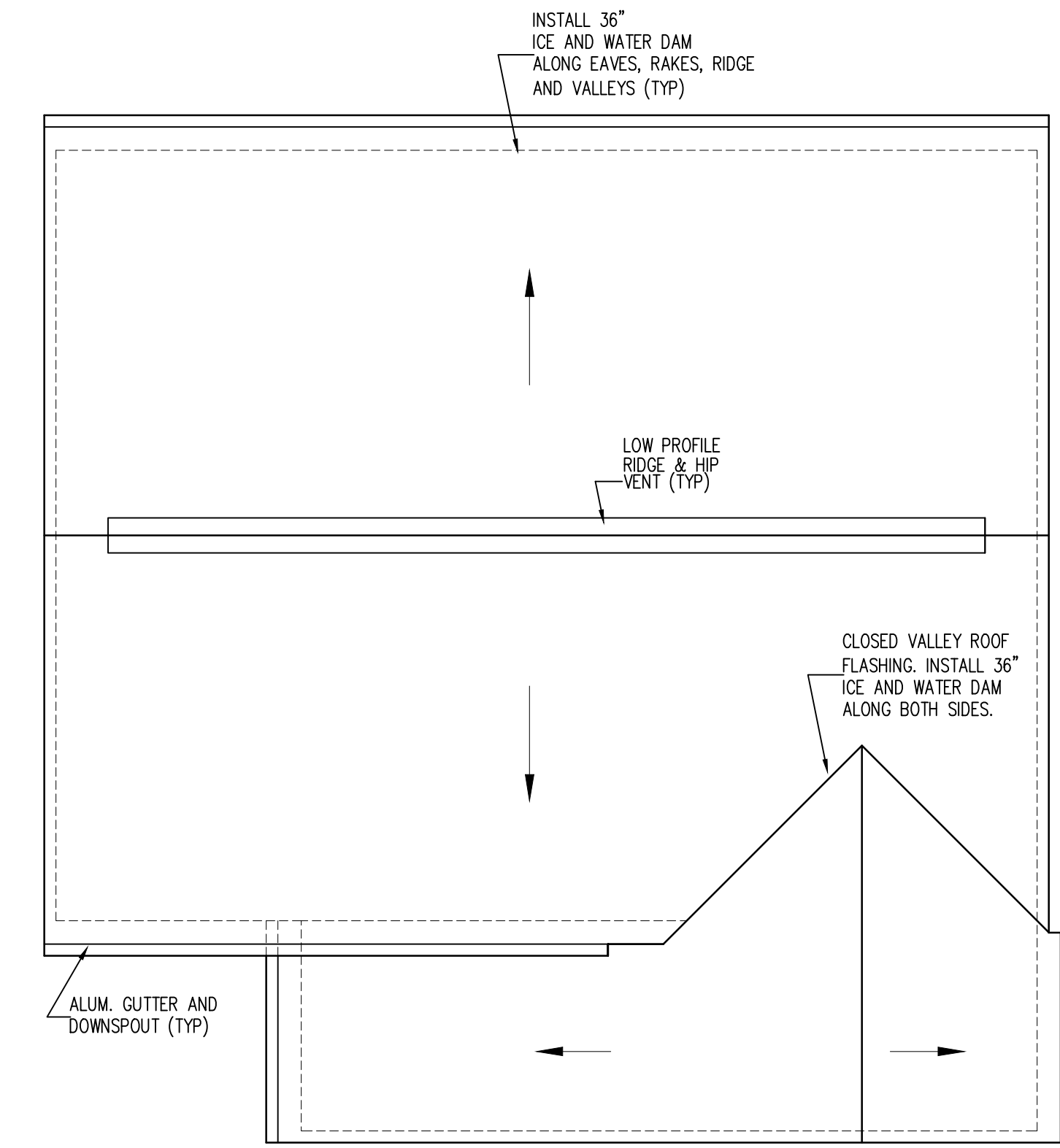
6 LOFT FRAMING PLAN
A-2 1/8"=1'-0"



7 SECOND FLOOR FRAMING PLAN
A-2 1/8"=1'-0"



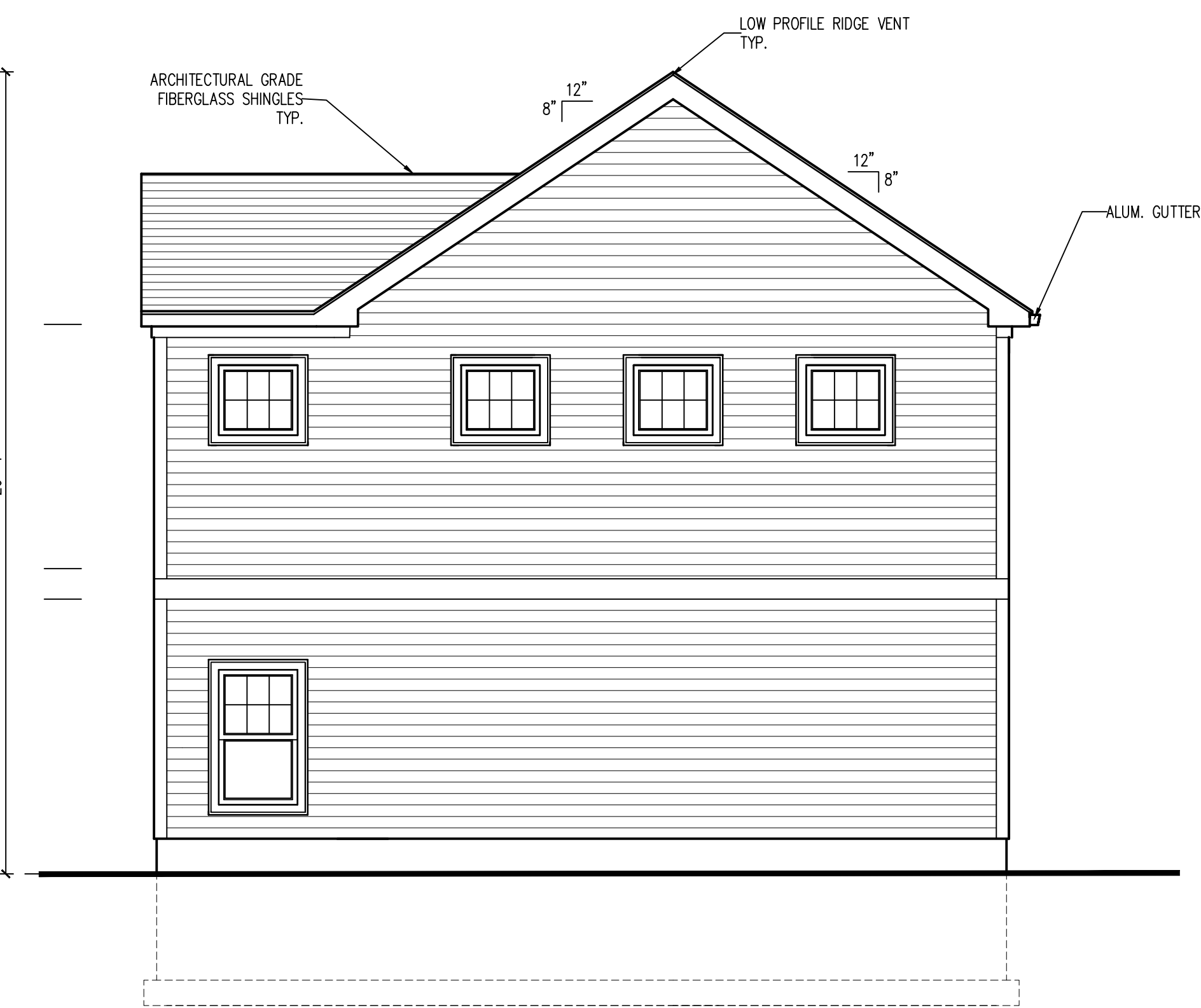
1 FOUNDATION PLAN
A-2 1/4"=1'-0"



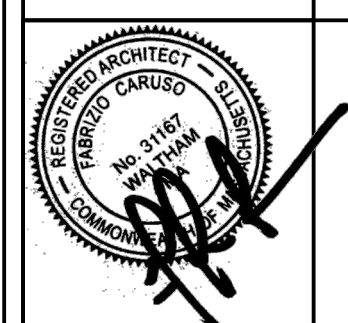
2 ROOF PLAN
A-2 1/4"=1'-0"



3 FRONT ELEVATION
A-2 1/4"=1'-0"



4 FRONT ELEVATION
A-2 1/4"=1'-0"



FABRIZIO CARUSO AIA
110 WETHERBEE RD
WALTHAM, MA.

Proj. Mgr.: FC
Designed: FC
Drawn: FC
Checked: FC
Scale: NOTED
Date: 03-15-2022

RESIDENCE FOR
MR AND MRS THOMAS MORGAN
20 RAILROAD AVE
STOW, MA.

Proj. No. 20-005
Dwg. No.

A-2

Revisions :
Approved :